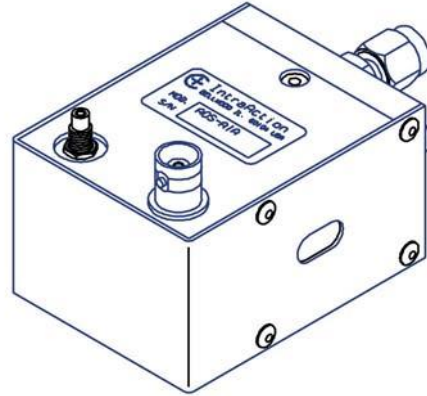


MODEL AQS-AI SERIES ACOUSTO-OPTIC Q-SWITCH

- CAVITY LOSS MODULATION
- HIGH OPTICAL POWER CAPABILITY
- HIGH RELIABILITY
- EXCELLENT TEMP. STABILITY



SPECIFICATIONS				
Optical Wavelength ¹	1.06 μm			
Anti-reflection Coating	Reflectance < 0.05%			
Optical Power Capability	500 mW/cm ²			
Optical Rise Time	110 ns/mm optical beam diameter			
Static Optical Insertion Loss	0.3%			
Optimum Polarization ⁴	Perpendicular to mounting surface			
Input Impedance / VSWR	50 ohms/1.25			
RF Connector	BNC			
Heat Exchange	Water cooled 250 ml/min			
Size (less connectors)	2.73 D x 1.50 H x 2.16 W inches			
	6.94 D x 3.81 H x 5.49 W cm			
MODEL	AQS-242A1A	AQS-244A1A	AQS-245A1A	AQS-504A1A C
	AQS-272A1A	AQS-274A1A	AQS-275A1A	
Center Frequency ²	24 MHz	24 MHz	24 MHz	50 MHz
	27.12 MHz	27.12 MHz	27.12 MHz	
Beam Separation	4.3 mrad	4.3 mrad	4.3 mrad	8.9 mrad
	4.8 mrad	4.8 mrad	4.8 mrad	
Active Aperture ³	2 x 12 mm	4 x 12 mm	5 x 12 mm	4 x 12 mm
Loss Efficiency	40%	40%	40%	40%
RF Drive Power	5 watts ⁴	10 watts ⁴	12 watts ⁴	15 watts ⁴
	20 watts ⁵	40 watts ⁵	50 watts ⁵	

¹ Other wavelengths are available.

² Other frequencies are available.

³ Active aperture heights to 10 mm are available.

⁴ Vertical polarization

⁵ Random polarization