

TSDO-04UNI

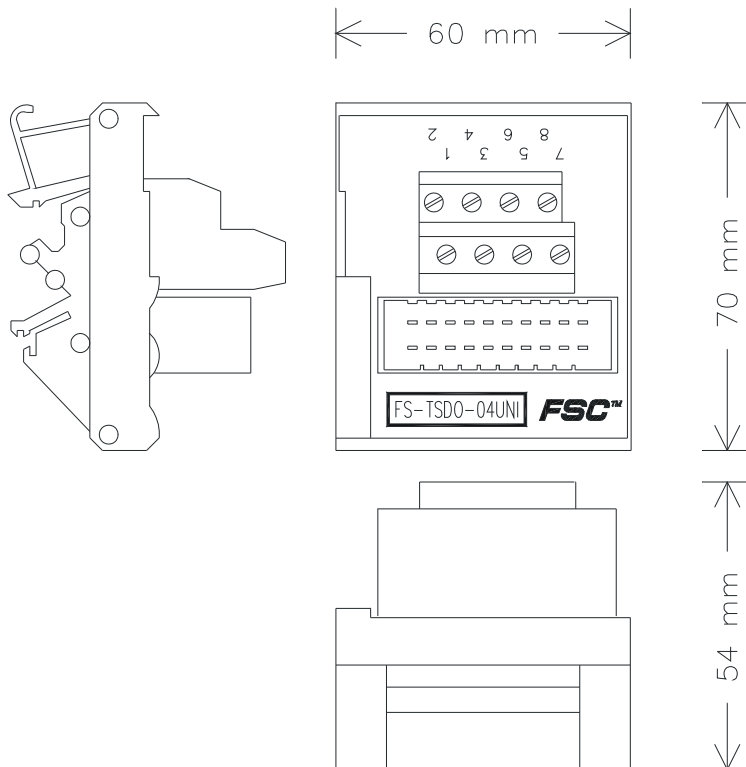
Safe digital output FTA (24/48/110 Vdc, 4 channels)

Description

Field termination assembly module TSDO-04UNI is the interface between system interconnection cable SICC-0001/Lx and the external field wiring (screw terminals). The four channels of a (redundant pair of) SDO-04x module(s) or SDOL-04x module(s) can be connected to the TSDO-04UNI module via system interconnection cable SICC-0001/Lx.

The FTA module has a universal snap-in provision for standard DIN EN rails, and screw terminals for connecting field wiring.

Figure 387 Mechanical layout



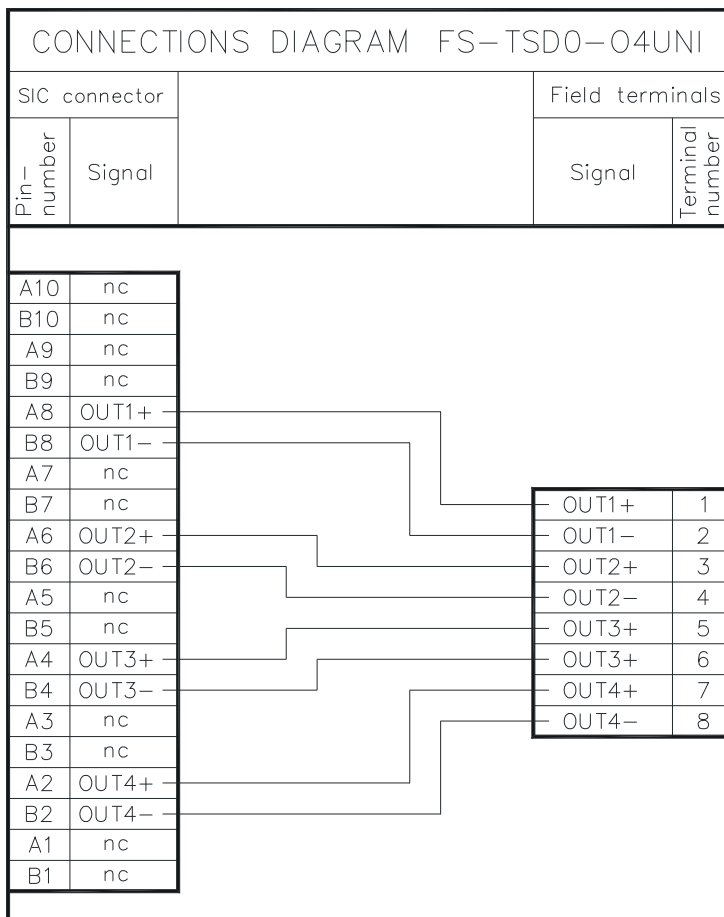
Applications

For details on applications and connection options for the TSDO-04UNI module, see section “SICC-0001/Lx” on page 715.

Connections

The connections diagram of the TSDO-04UNI module is as follows:

Figure 388 Connections diagram



Technical data

The TSDO-04UNI module has the following specifications:

General	Type numbers ¹ :	FS-TSDO-04UNI
		FC-TSDO-04UNI
	Approvals:	CE, TUV, UL, CSA, FM
Power	Number of channels:	4
	Maximum voltage:	50 Vdc – IEC 1010 (1990), overvoltage category 3 (Table D.12) 150 Vdc – IEC 1010 (1990), overvoltage category 2 (Table D.10)
	Maximum continuous current per channel:	2 A
	Actual maximum current defined by connected output module	
Physical	Module dimensions:	60 × 70 × 54 mm (L × W × H) 2.36 × 2.76 × 2.13 in (L × W × H)
	DIN EN rails:	TS32 / TS35 × 7.5
	Used rail length:	61 mm (2.40 in)
Termination	Screw terminals:	
	• Max. wire diameter	2.5 mm ² (AWG 14)
	• Strip length	7 mm (0.28 in)
	• Tightening torque	0.5 Nm (0.37 ft-lb)

1 FS-type modules are non conformal coated modules.
FC-type modules are conformal coated modules. Conformal coated modules have the letters "CC" preceding the version number.