

2.1 BK3000, BK3010, BK3100, BK3110, BK3120, LC3100

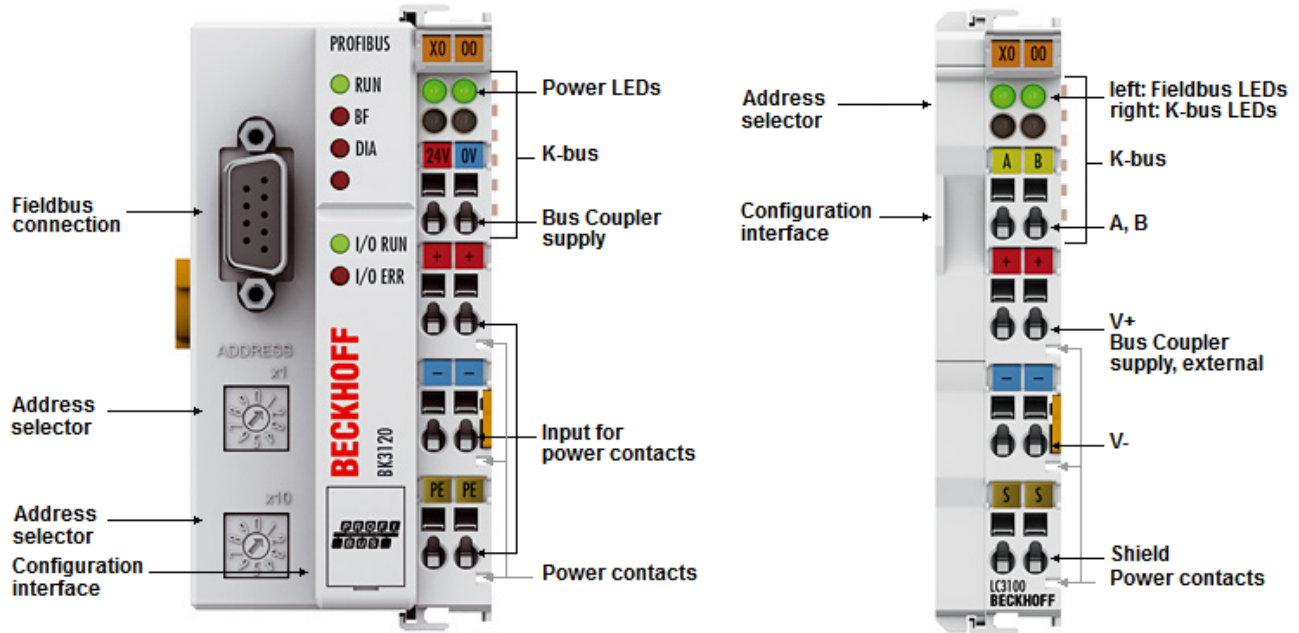


Fig. 1: BK3120 and LC3100 - Bus Couplers for PROFIBUS DP

Technical data

Type	BK3120						
Number of Bus Terminals	64 (255 with K-bus extension)						
Digital peripheral signals	max. 1020 inputs/outputs						
Analog peripheral signals	max. 64 inputs/outputs						
Configuration possibility	Via the KS2000 configuration software or the controller						
Max. number of bytes (inputs and outputs)	128 bytes						
Baud rate (automatic detection)	up to max. 12 Mbaud						
Bus connection	1 x D-sub plug, 9-pin with shielding						
Power supply	24 V _{DC} (-15 % / +20 %)						
Input current	70 mA + (total K bus current)/4, max. 500 mA						
Starting current	2.5 x continuous current						
Recommended fuse	maximum 10 A						
K-bus current up to	1750 mA						
Power contact voltage	maximum 24 V _{DC}						
Power contact current load	maximum 10 A						
Electrical isolation	Power contact / supply / fieldbus						
Dielectric strength	500 V (power contact / supply / fieldbus)						
Weight	approx. 170 g						
Permissible ambient temperature (operation)	-25°C ... +60°C						
Permissible ambient temperature (storage)	-25°C ... +85°C						
Permissible relative humidity	95% (no condensation)						
Vibration/shock resistance	conforms to EN 60068-2-6 / EN 60068-2-27						
EMC immunity / emission	conforms to EN 61000-6-2 / EN 61000-6-4						
Protection class / Installation position	IP20 / variable						
Approvals / markings	CE, UKCA, cULus, EAC, GL, ATEX [▶ 33], IECEx [▶ 34], cFMus [▶ 36]						
Ex markings	<table border="0"> <tr> <td>ATEX:</td> <td>II 3 G Ex nA IIC T4 Gc II 3 D Ex tc IIIC T135 °C Dc</td> </tr> <tr> <td>IECEX:</td> <td>Ex nA IIC T4 Gc Ex tc IIIC T135 °C Dc</td> </tr> <tr> <td>cFMus:</td> <td>Class I, Division 2, Groups A, B, C, D Class I, Zone 2, AEx ec IIC T4 Gc</td> </tr> </table>	ATEX:	II 3 G Ex nA IIC T4 Gc II 3 D Ex tc IIIC T135 °C Dc	IECEX:	Ex nA IIC T4 Gc Ex tc IIIC T135 °C Dc	cFMus:	Class I, Division 2, Groups A, B, C, D Class I, Zone 2, AEx ec IIC T4 Gc
ATEX:	II 3 G Ex nA IIC T4 Gc II 3 D Ex tc IIIC T135 °C Dc						
IECEX:	Ex nA IIC T4 Gc Ex tc IIIC T135 °C Dc						
cFMus:	Class I, Division 2, Groups A, B, C, D Class I, Zone 2, AEx ec IIC T4 Gc						

*) Real applicable approvals/markings see type plate on the side (product marking).