

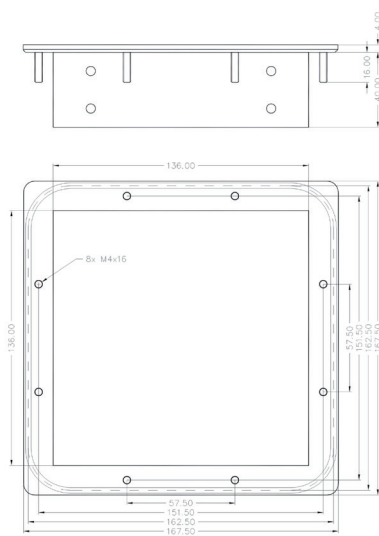
LOCON 24 and 48

The Multifunctionals

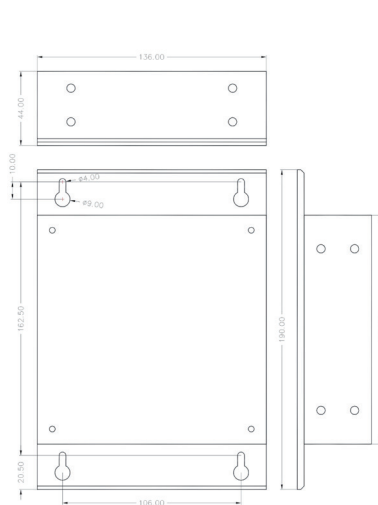
Compact series with DIN size of 144 x 144 mm. With an overall depth of 44 mm only, these models feature 24, 32 or 48 outputs. 64 programs can be selected either via the integrated control panel or that can be selected externally, a memory of 1000 data records as well as an extensive range of functions round off the features.

The version with integrated control panel for front panel installation

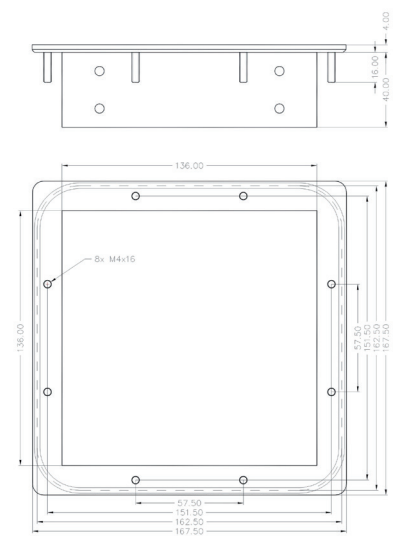
(either IP54 or IP65) offers the operating convenience you are looking for: Seven-segment display for position and speed, 2-line LCD with a multi-lingual, user-configurable menu, and both, a decimal keypad and a function keypad.



LOCON 24, 48 with front panel IP65



LOCON 24, 48 PM for mounting plate



LOCON 24, 48 with front panel IP54

Structure of the order code

LOCON 24

-0360

-I

-IP65

Basic device, example for the version with control panel:
LOCON 24-0360-I-IP65

Special functions
(X-options)

Encoder type + encoder resolution
0 = absolute encoder, S = SSI-encoder
Z = incremental encoder;
the number indicates the encoder's resolution
For incremental encoder versions (Z) the
encoder's resolution for the rotation speed has
to be indicated.

Hard- and software-options in
alphabetical order

Basic device

Option	Meaning	Excludes or only possible with the option	L24	L48
PM	Version for mounting plate without keypad		②	②
O360	Version for absolute encoder parallel 360 inf./rev.	All other resolutions	•	•
O1000	Version for absolute encoder parallel 1000 inf./rev.	All other resolutions	②	•
On	Version for absolute encoder parallel (n=encoder's resolution)	All other resolutions	•	•
S4096	Version for SSI-absolute encoder 4096 inf./ rev.	All other resolutions	•	•
S8192	Version for SSI-absolute encoder 8192 inf./ rev.	All other resolutions	•	•
MT	Version for SSI-absolute encoder 24 Bit (16 mio.)	All other resolutions	•	•
Zn	Version for incremental encoder 24V signal voltage (n=indicates encoder's resolution at speed indication): counting range in increments		16384	8192

Hard- and software-options

Code	Meaning	Excludes or only possible with the option	L24	L48
A32	Extension to 32 outputs		■	-
D	Binary coded speed indication on the 8 upper outputs		■	■
G	Encoder monitoring (for positively counting adjusted devices only)		■	■
H08	Highly dynamic idle time compensation on the first 8 outputs, all other outputs can be compensated bit by bit	Not with L, LT	■	■
I	Bitwise idle time compensation	Not with L, LT	•	•
IP65	Front plate; version IP65		■	■
L	Blockwise idle time compensation	Not with I, LT	x	x
LT	Blockwise idle time compensation with separate turn on and turn off time	Not with I, L	■	■
N	Extension to 1500 data records		■	■
U	Direction cams		■	■
T	Timer/programmable switch		x	x
Vn	Locked outputs		■	■
W16/W32	Angle/time cams on the first 16/32 outputs possible (restriction: encoder resolution max. 13 Bit)		■	■
X?	Customized version	On request	■	■

- = Standard
- = Optionally for an additional charge
- x = Optionally at no additional charge
- ① = RS232/485 switchable on board
- ② = The unit is alternatively available with or without integrated control panel

Technical data LOCON 24 and LOCON 48

	Characteristics	LOCON 24	LOCON 24PM	LOCON 48	LOCON 48PM
Available versions	- with integrated keypad - without integrated keypad	● -	- ●	● -	- ●
Installation	- front panel installation - mounting plate - DINrail	● ● without front -	- ● without front -	● ● without front -	- ● without front -
Output		24 ■ 32	24 ■ 32	48 -	48 -
Storable programs		64	64	64	64
Data records (incl.output) (number of switch-on/switch-off points)		1000 ■ 1500	1000 ■ 1500	1000 ■ 1500	1000 ■ 1500
Actual value acquisition	- incremental encoder - counting range incremental - absolute encoder Gray excess - absolute encoder parallel Gray code to bit number - absolute encoder SSI Gray code (at option MT) - count/direction inputs for incremental encoders - timer function (value is generated internally)	16384 360, 720, 1000, 3600, 7200 2...13 2...13, (24) ☒ 1-65535 ms	16384 360, 720, 1000, 3600, 7200 2...13 2...13, (24) ☒ 1-65535 ms	8192 360, 720, 1000, 3600, 7200 2...13 2...13, (24) ☒ 1-65535 ms	8192 360, 720, 1000, 3600, 7200 2...13 2...13, (24) ☒ 1-65535 ms
Idle time compensation (dynamic cam)	- blockwise - bitwise - separate I/O - entering the idle time in steps - partial idle time compensation - highly dynamic ITC for number of outputs	x ● ■ 1 ms - 999ms - ■ 8	x ● ■ 1 ms - 999ms - ■ 8	x ● ■ 1 ms - 999ms - ■ 8	x ● ■ 1 ms - 999ms - ■ 8
Cycle time In some configurations the cycle time may be higher, in case of using the high-speed version it may also be lower.	- without idle time compensation (ITC) - with blockwise ITC - with bitwise ITC - with blockwise I/O ITC	75µs 150µs 300µs 250µs	75µs 150µs 300µs 250µs	100µs 200µs 500µs 400µs	100µs 200µs 500µs 400µs
Software characteristics: zero point offset cams are interchangeable linewise angle/time cams direction cams lockable outputs scalable encoder value	- within the complete range	● ● ■ 16/32 outputs ■ ■ ●	● ● ■ 16/32 outputs ■ ■ ●	● ● ■ 16/32 outputs ■ ■ ●	● ● ■ 16/32 outputs ■ ■ ●
Run-control-function		● (relay)	● (relay)	● (relay)	● (relay)
Speed indicator		●	●	●	●
Input	- for encoder signal - for program selection - for program change - for program release	13 6 1 1	13 6 1 1	13 6 1 1	13 6 1 1
Programming	- teach-in programming - via integrated keypad - via Deuschmann terminal - via PC (WINLOC 32®-software) - via cam control profile	● ● ● ● ●	● - ● ● ● ●	● ● ● ● ●	● - ● ● ●
Data backup	- EEPROM (min. 100 years) - via transfer program on PC	● ●	● ●	● ●	● ●
Display seven-segment indication	- for position - for speed	10 digits ● ●	- - -	10 digits ● ●	- - -

	Characteristics	LOCON 24	LOCON 24PM	LOCON 48	LOCON 48PM
Status display for	- outputs - programming status - external program selection - SSI-control - error-display - run-control	• • • • • •	• • • • • •	• • • • • •	• • • • • •
Interface	- RS232 - RS485-DICNET®	• switchable • switchable	• switchable • switchable	• switchable • switchable	• switchable • switchable
Voltage supply 24VDC +/-20%		•	•	•	•
Max. power consumption (without load)		200mA	200mA	200mA	200mA
Output driver max. load	- 300 mA per output, max. 1A for 8 outputs at a time at 25°C ambient temperature - 700 mA per output, temporarily also 1A per output - outputs positive switching, short-circuit-proof	• ■ 8/16 outputs •	• ■ 8/16 outputs •	• ■ 8/16 outputs •	• ■ 8/16 outputs •
Dimensions basic device in mm	- width - height - depth	144 144 44	144 144 44	144 144 44	144 144 44
Front panel cutout		138 x 138	-	138 x 138	-
Protection class		IP20 ¹⁾ IP54 ²⁾ ■ IP65 ³⁾	IP20 ¹⁾ - -	IP20 ¹⁾ IP54 ²⁾ ■ IP65 ³⁾	IP20 ¹⁾ - -
Weight in grams		1000	1000	1000	1000

- = Standard
- = Optionally for an additional charge
- x = Optionally for no additional charge
- ☒ = Freely configurable
- ¹⁾ = Without housing
- ²⁾ = Standard version for front panel installation
- ³⁾ = Version for front panel installation IP64