

## Migration WDM and WDP3 3 Phase Stepper Drive



## Contents

Chapter		Page
1	Preface .....	1
1.1	WDM3-00x overview .....	2
1.2	WDM3-00x product types with identification numbers .....	3
1.2.1	Replacement cross reference WDM3-00x to SD326 .....	3
2	Recommended P/D cable .....	4
2.1.1	Motor cable recommendations.....	5
3	Product dimensions .....	6
4	WDP3-01x Product Family.....	8
4.1	WDP3-014 product types with identification numbers.....	8
4.2	WDP3-018 product types with identification numbers.....	11
5	Motor cable recommendations.....	13
5.1	Recommended rotation monitoring cable selection .....	13
6	Interface Cables.....	14
6.1	RS485 Interface cables.....	14
6.2	RS232 Interface cables.....	14
6.3	CAN cables.....	14
6.4	ProfibusDP cables .....	14
6.5	Analogue cables .....	14
6.6	RS422 cables .....	15
7	Product dimensions .....	16

# 1 Preface

With the discontinuation and unavailability of the WDM3-004 and WDM3-008 family there is a direct need for product replacement recommendations.

This was the reason for this product recommendation document.

The recommended Schneider Electric product for replacing the Berger Lahr / SIG Positec WDM3.00x products is the Schneider Electric SD326.

When using an SD326 product to replace a WDM3 product mechanical design differences must be considered.

The SD326 product dimensions or “footprint” is quite different than that of the WDM3 products.

The current mounting location of your WDM3 product may not accommodate the SD326 product so the mounting location must be considered.

Please see the product dimensions section of this document for detailed information on the product dimension differences.

Functionally the SD326 product will directly replace the WDM3 product.

Both products are 3 phase stepping motor drives used in conjunction with Schneider Electric (Berger Lahr) 3 phase stepping motors.

The SD326 product features the latest in design technologies and will provide years of trouble free service.

Robust and durable, the SD326 product offering is the best choice for replacing the WDM3 products.

### 1.1 WDM3-00x overview

There are a number a various product types within the WDM3-00x product family. Therefore, it is important that we understand the differences within the product family so that we can select the appropriate SD326 replacement product and accessories.

There are two main types of WDM3-00x products.

The **WDM3-004** is a 2 axis 2.5 amp stepping motor drive designed to be used in conjunction with Schneider Electric (Berger Lahr) 3 phase LW series stepping motors rated for up to 2.5 amps.

The **WDM3-008** is a 2 axis 6.8 amp stepping motor drive designed to be used in conjunction with Schneider Electric (Berger Lahr) 3 phase LW series stepping motors rated for up to 5 amps.

Within these two main product groups there are a number of various combinations that were available.

On the follow page is a list of each type of WDM3-00x including the identification numbers and information on the unique specifications for each device.

In addition, later in this document is a cross reference section that will guide you in selecting the correct SD326 product to use when replacing a WDM3-00x product.

It is also important to review the section on accessory cable selection.

Due the design differences between the WDM3-00x products and the SD326 products it is highly recommended that the factory manufactured accessory cables be used to simplify the replacement process.



## 2 Recommended P/D cable

Order data					
Designation	Description	for SD 3..			Order number
		26	28 A	28B	
Pulse/direction cable	5 V, shielded; device side with 24-pin Molex plug; other cable end open	0.5 m	x		VW3S8201R05
		1.5 m	x		VW3S8201R15
		3.0 m	x		VW3S8201R30
		5.0 m	x		VW3S8201R50
	24 V, shielded; device side with 24-pin Molex plug; other cable end open	0.5 m	x		VW3S8202R05
		1.5 m	x		VW3S8202R15
		3.0 m	x		VW3S8202R30
		5.0 m	x		VW3S8202R50

When replacing a WDM3-004.1801 and WD3-008.1801  
use one of the 5 volt cables from list above based on your required length.

**VW3S8201R05**

**VW3S8201R15**

**VW3S8201R30**

**VW3S8201R50**

When replacing a WD3-004.0801  
use one of the 24 volt cables from list above based on your required length.

**VW3S8202R05**

**VW3S8202R15**

**VW3S8202R30**

**VW3S8202R50**

## 2.1.1 Motor cable recommendations

When replacing a WDM3 product with an SD3 product the existing motor cable can be used. The motor cable will connect to the SD3 drive via terminal screws so in most cases it will not be necessary to purchase a replacement motor cable.

Please refer to the SD3 product catalogue for motor cable information in the event that your existing motor cable is damaged or needs to be replaced.

You can review SD3 catalogue for detailed information on the complete SD3 product offering including motor cables and other accessories.

Motor cables						
Cables for 3-phase stepper motor	4 x 1.5 mm <sup>2</sup> , shielded; motor end with 6-pole circular connector; other cable end open	3	x	x	x	VW3S5101R30
		5	x	x	x	VW3S5101R50
		10	x	x	x	VW3S5101R100
		15	x	x	x	VW3S5101R150
		20	x	x	x	VW3S5101R200

**VW3S5101R30**

**VW3S5101R50**

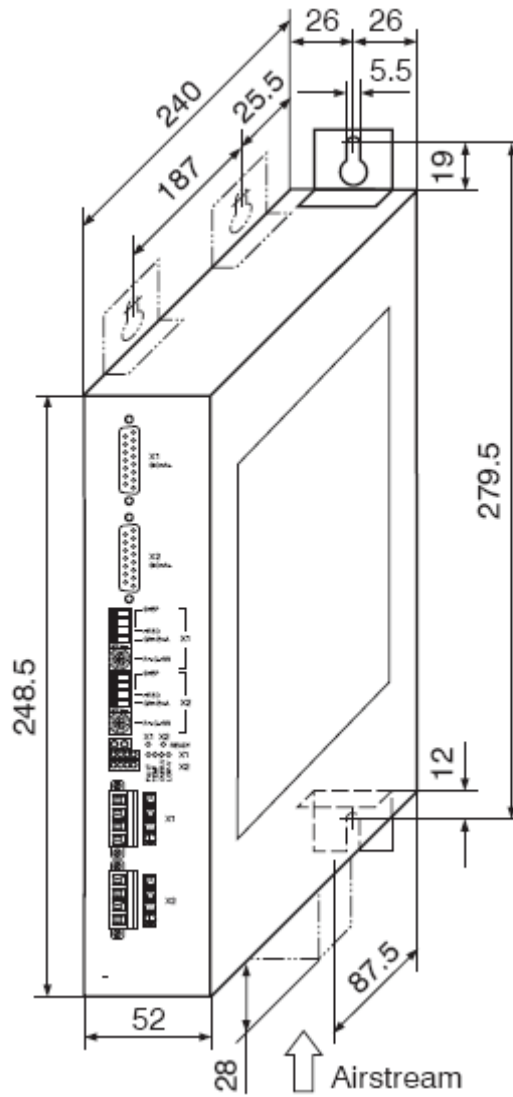
**VW3S5101R100**

**VW3S5101R150**

**VW3S5101R200**

### 3 Product dimensions

#### WDM3 dimensions



**SD326 dimensions**

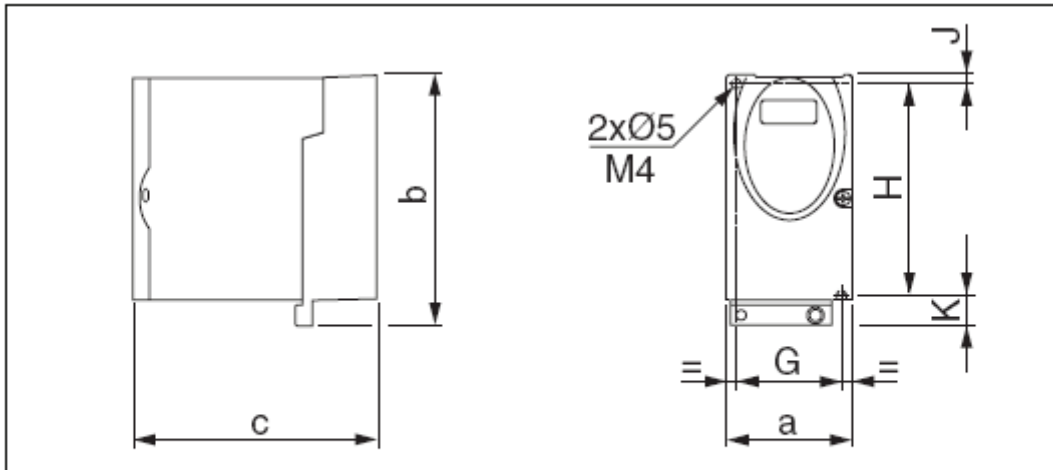


Figure 3.1 Dimensions

SD32••...	U25S2	U68S2
a	[mm] 72	72
b	[mm] 145	145
c	[mm] 140	140
G	[mm] 60	60
H	[mm] 121.5	121.5
J	[mm] 5	5
K	[mm] 18.5	18.5
Mass	[kg] 1.1	1.2
Type of cooling	Convection <sup>1)</sup>	Fan
DIN rail installation	[mm] 77.5 <sup>2)</sup>	77.5 <sup>2)</sup>

1) >1 m/s

2) Width of adapter plate

## 4 WDP3-01x Product Family

### 4.1 WDP3-014 product types with identification numbers

Product	BL - Reference	Description	Replacement Product	Remarks
WDP3-014.0801 D -/-	0065301400103	Without Interfaces	SD328AU25S2	Only possible if the macro motion mode fits for the application!
WDP3-014.0801 F -/-	0065301400105	Without Interfaces	SD328AU25S2	Only possible if the macro motion mode fits for the application!
WDP3-014.0801 GB -/-	0065301400104	Without Interfaces	SD328AU25S2	Only possible if the macro motion mode fits for the application!
WDP3-014.0801 D ANOZ/-	0065301400603	Analogue Interface	SD328AU25S2	Analogue mode from SD3 should fit!
WDP3-014.0801 F ANOZ/-	0065301400605	Analogue Interface	SD328AU25S2	Analogue mode from SD3 mode should fit!
WDP3-014.0801 GB ANOZ/-	0065301400604	Analogue Interface	SD328AU25S2	Analogue mode from SD3 mode should fit!
WDP3-014.0801 D -/422	0065301400703	RS422 (Encoder) Interface	SD328AU25S2	Only possible if the macro motion mode or Electronic gear mode fits for the application!
WDP3-014.0801 GB -/422	0065301400704	RS422 (Encoder) Interface	SD328AU25S2	Only possible if the macro motion mode or Electronic gear mode fits for the application!

## Migration WDM and WDP3 Stepper Drive

WDP3-014.0801 D 485L/-	0065301400303	RS485 Interface	SD328AU25S2	Customer has to write new software because of different protocol!
WDP3-014.0801 D 485L/-	0065301400306	RS485 Interface	SD328AU25S2	Customer has to write new software because of different protocol!
WDP3-014.0801 GB 485L/-	0065301400304	RS485 Interface	SD328AU25S2	Customer has to write new software because of different protocol!
WDP3-014.0801 D 485L/L422	0065301400903	RS485 + Encoder Interface	SD328AU25S2	Customer has to write new software because of different protocol!
WDP3-014.0801 GB 485L/L422	0065301400904	RS485 + Encoder Interface	SD328AU25S2	Customer has to write new software because of different protocol!
WDP3-014.0801 D 232/-	0065301400203	RS232 Interface	SD328AU25S2	Customer has to write new software because of different protocol!
WDP3-014.0801 GB 232/-	0065301400204	RS232 Interface	SD328AU25S2	Customer has to write new software because of different protocol!
WDP3-014.0801 GB 232/L422	0065301400804	RS232 + Encoder Interface	SD328AU25S2	Customer has to write new software because of different protocol!
WDP3-014.0801 D 232/L422	0065301400803	RS232 + Encoder Interface	SD328AU25S2	Customer has to write new software because of different protocol!
WDP3-014.0801 D PBDP/L422	0065301401103	Profibus DP + Encoder Interface	SD328BU25S2	Customer has to write new software because of different protocol!
WDP3-014.0801 D PBDP/-	0065301400503	Profibus DP Interface	SD328BU25S2	Customer has to write new software because of different protocol!
WDP3-014.0801 GB PBDP/-	0065301400504	Profibus DP Interface	SD328BU25S2	Customer has to write new software because of different protocol!
WDP3-014.0801 D CAN/-	0065301401703	CAN Interface	SD328AU25S2	Customer has to write new software because of different protocol!
WDP3-014.0801 D CAN/L422	0065301401603	CAN + Encoder Interface	SD328AU25S2	Customer has to write new software because of different protocol!
WDP3-014.0801 D IBS/-	0065301400403	Interbus S Interface	not available	We no longer offer InterbusS
WDP3-014.0801 GB IBS/- OHNE DOKU	0065301400407	Interbus S Interface	not available	We no longer offer InterbusS
WDP3-014.0801 GB IBS/-	0065301400404	Interbus S Interface	not available	We no longer offer InterbusS
WDP3-014.0801 D IBS/L422	0065301401003	Interbus S + Encoder Interface	not available	We no longer offer InterbusS
WDP3-014.0801 D IBS/L422	0065301401503	Interbus S + Encoder Interface	not available	We no longer offer InterbusS
WDP3-014.0801 GB IBS/L422	0065301401004	Interbus S + Encoder Interface	not available	We no longer offer InterbusS

## Migration WDM and WDP3 Stepper Drive

WDP3-014.0803 D 232/- EEP OED3V3	0065301400233	Programmable Device	not available	LMC together with SD328A could be a solution. But the customer has to write new software!
WDP3-014.0803 D 232/L422 EEP OED3V3	0065301400833	Programmable Device	not available	LMC together with SD328A could be a solution. But the customer has to write new software!
WDP3-014.0803 D 485L/- EEP OED3V3	0065301400333	Programmable Device	not available	LMC together with SD328A could be a solution. But the customer has to write new software!
WDP3-014.0803 D 485L/L422 EEP OED3V3	0065301400933	Programmable Device	not available	LMC together with SD328A could be a solution. But the customer has to write new software!
WDP3-014.0803 F 232/L422 EEP OED3V3	0065301400835	Programmable Device	not available	LMC together with SD328A could be a solution. But the customer has to write new software!
WDP3-014.0803 GB 232/- EEP OED3V3	0065301400234	Programmable Device	not available	LMC together with SD328A could be a solution. But the customer has to write new software!
WDP3-014.0803 GB 232/L422 EEP OED3V3	0065301400834	Programmable Device	not available	LMC together with SD328A could be a solution. But the customer has to write new software!
WDP3-014.0803 GB 485L/- EEP OED3V3	0065301400334	Programmable Device	not available	LMC together with SD328A could be a solution. But the customer has to write new software!
WDP3-014.0801 D CAN/- CARL BAASEL	0065301402103	Customer Specific	not available	Be examined in each case with the customer
WDP3-014.0801 D CAN/L422 CARL BAASEL	0065301402203	Customer Specific	not available	Be examined in each case with the customer
WDP3-014.8801 D CAN/L422 BOSCH	0065301480103	Customer Specific	not available	Be examined in each case with the customer
WDP3-014.9801 D 232/-	0065301490103	Customer Specific	not available	Be examined in each case with the customer
WDP3-014.9805 D 485L/422	0065301490503	Customer Specific	not available	Be examined in each case with the customer
WDP3-014.9815 GB 485L/L422	0065301991504	Customer Specific	not available	Be examined in each case with the customer
WDP3-014.9817 D 232/-	0065301991703	Customer Specific	not available	Be examined in each case with the customer
WDP3-014.9819 D PBDP/L422	0065301491903	Customer Specific	not available	Be examined in each case with the customer
WDP3-014.9820 GB 485L/L422	0065301492004	Customer Specific	not available	Be examined in each case with the customer
WDP3-014.9824 D ANOZ/-	0065301492403	Customer Specific	not available	Be examined in each case with the customer
WDP3-014.9825 D -/-	0065301492503	Customer Specific	not available	Be examined in each case with the customer
WDP3-014.9827 GB 485L/L422	0065301492704	Customer Specific	not available	Be examined in each case with the customer
WDP3-014.9828 D -/L422 PR 579.00	0065301492803	Customer Specific	not available	Be examined in each case with the customer
WDP3-014.9829 D PBDP/- PR 712.00	0065301492903	Customer Specific	not available	Be examined in each case with the customer
WDP3-014.9830 D 232/L422 NIP PR721.00	0065301493003	Customer Specific	not available	Be examined in each case with the customer
WDP3-014.9831 D 232/L422 PR 623.00	0065301493103	Customer Specific	not available	Be examined in each case with the customer
WDP3-014.9838 D 232/L422 PR 754.00	0065301493803	Customer Specific	not available	Be examined in each case with the customer
WDP3-014.9839 D CAN/L422 PR 470.20	0065301493903	Customer Specific	not available	Be examined in each case with the customer
WDP3-014.9840 D 232/- PR 780.00	0065301494003	Customer Specific	not available	Be examined in each case with the customer
WDP3-014.9841 D -/L422 PR 786.00	0065301494103	Customer Specific	not available	Be examined in each case with the customer

## Migration WDM and WDP3 Stepper Drive

WDP3-014.9842 D 232/L422 PR 807.00	0065301494203	Customer Specific	not available	Be examined in each case with the customer
WDP3-014.9843 D 232/L422 PR 876.00	0065301494303	Customer Specific	not available	Be examined in each case with the customer
WDP3-014.0801 GB PBDP/L422	0065301401104	Customer Specific	not available	Be examined in each case with the customer
WDP3-014.9810 PD 485L/422	0065301991006	Customer Specific	not available	Be examined in each case with the customer
WDP3-014.9813 D 485L/L422	0065301991303	Customer Specific	not available	Be examined in each case with the customer

### 4.2 WDP3-018 product types with identification numbers

Product	BL - Reference	Description	Replacement Product	Remarks
WDP3-018.0801 D -/-	0065301800103	Without Interfaces	SD328AU68S2	Only possible if the macro motion mode fits for the application!
WDP3-018.0801 GB -/-	0065301800104	Without Interfaces	SD328AU68S2	Only possible if the macro motion mode fits for the application!
WDP3-018.0801 D ANOZ/-	0065301800603	Analogue Interface	SD328AU68S2	Analogue mode from SD3 should fit!
WDP3-018.0801 D -/422	0065301800703	RS422 (Encoder) Interface	SD328AU68S2	Only possible if the macro motion mode or Electronic gear mode fits for the application!
WDP3-018.0801 GB -/422	0065301800704	RS422 (Encoder) Interface	SD328AU68S2	Only possible if the macro motion mode or Electronic gear mode fits for the application!
WDP3-018.0801 D 485L/-	0065301800303	RS485 Interface	SD328AU68S2	Customer has to write new software because of different protocol!
WDP3-018.0801 GB 485L/-	0065301800304	RS485 Interface	SD328AU68S2	Customer has to write new software because of different protocol!
WDP3-018.0801 D 485L/L422	0065301800903	RS485 + Encoder Interface	SD328AU68S2	Customer has to write new software because of different protocol!
WDP3-018.0801 D 232/-	0065301800203	RS232 Interface	SD328AU68S2	Customer has to write new software because of different protocol!
WDP3-018.0801 GB 232/-	0065301800204	RS232 Interface	SD328AU68S2	Customer has to write new software because of different protocol!
WDP3-018.0801 D 232/L422	0065301800803	RS232 + Encoder Interface	SD328AU68S2	Customer has to write new software because of different protocol!
WDP3-018.0801 D 232/L422	0065301801203	RS232 + Encoder Interface	SD328AU68S2	Customer has to write new software because of different protocol!
WDP3-018.0801 GB 232/L422	0065301800804	RS232 + Encoder Interface	SD328AU68S2	Customer has to write new software because of different protocol!
WDP3-018.0801 D PBDP/-	0065301800503	Profibus DP Interface	SD328BU68S2	Customer has to write new software because of different protocol!
WDP3-018.08-01 GB PBDP/-	0065301800504	Profibus DP Interface	SD328BU68S2	Customer has to write new software because of different protocol!

## Migration WDM and WDP3 Stepper Drive

WDP3-018.0801 D PBDP/L422	0065301801103	Profibus DP + Encoder Interface	SD328BU68S2	Customer has to write new software because of different protocol!
WDP3-018.0801 GB PBDP/L422	0065301801104	Profibus DP + Encoder Interface	SD328BU68S2	Customer has to write new software because of different protocol!
WDP3-018.0801 D CAN/-	0065301801703	CAN Interface	SD328AU68S2	Customer has to write new software because of different protocol!
WDP3-018.0801 D CAN/L422	0065301801603	CAN + Encoder Interface	SD328AU68S2	Customer has to write new software because of different protocol!
WDP3-018.0801 D IBS/-	0065301800403	Interbus S Interface	not available	We no longer offer InterbusS
WDP3-018.0801 GB IBS/-	0065301800404	Interbus S Interface	not available	We no longer offer InterbusS
WDP3-018.0801 GB IBS/- OHNE DOKU	0065301800407	Interbus S Interface	not available	We no longer offer InterbusS
WDP3-018.0801 D IBS/L422	0065301801003	Interbus S + Encoder Interface	not available	We no longer offer InterbusS
WDP3-018.0803 D 232/- EEP OED3V3	0065301800233	Programmable Device	not available	LMC together with SD328A could be a solution. But the customer has to write new software!
WDP3-018.0803 D 232/L422 EEP OED3V3	0065301800833	Programmable Device	not available	LMC together with SD328A could be a solution. But the customer has to write new software!
WDP3-018.0803 D 485L/- EEP OED3V3	0065301800333	Programmable Device	not available	LMC together with SD328A could be a solution. But the customer has to write new software!
WDP3-018.0803 D 485L/L422 EEP OED3V3	0065301800933	Programmable Device	not available	LMC together with SD328A could be a solution. But the customer has to write new software!
WDP3-018.0803 GB 232/- EEP OED3V3	0065301800234	Programmable Device	not available	LMC together with SD328A could be a solution. But the customer has to write new software!
WDP3-018.0803 GB 232/L422 EEP OED3V3	0065301800834	Programmable Device	not available	LMC together with SD328A could be a solution. But the customer has to write new software!
WDP3-018.9803 D -/-	0065301890303	Customer Specific	not available	Be examined in each case with the customer
WDP3-018.9804 D 232/-	0065301890403	Customer Specific	not available	Be examined in each case with the customer
WDP3-018.9806 D 232/-	0065301890603	Customer Specific	not available	Be examined in each case with the customer
WDP3-018.9808 D PBDP/L422	0065301890803	Customer Specific	not available	Be examined in each case with the customer
WDP3-018.9811 GB 232/422	0065301891104	Customer Specific	not available	Be examined in each case with the customer
WDP3-018.9812 GB 232/-	0065301891204	Customer Specific	not available	Be examined in each case with the customer
WDP3-018.9815 D 232/L422 PR 737.00	0065301891503	Customer Specific	not available	Be examined in each case with the customer
WDP3-018.9817 D CAN/L422 PR 470.20	0065301891703	Customer Specific	not available	Be examined in each case with the customer
WDP3-018.9819 D 232/L422 PR 623.00	0065301891903	Customer Specific	not available	Be examined in each case with the customer
WDP3-018.0801 D 232/L422 BLAS/LACK.	0065301880203	Customer Specific	not available	Be examined in each case with the customer
WDP3-018.0801 GB ANOZ/-	0065301800604	Customer Specific	not available	Be examined in each case with the customer
WDP3-018.8801 D CAN/L422 BOSCH	0065301880103	Customer Specific	not available	Be examined in each case with the customer

## 5 Motor cable recommendations

When replacing a WDP3 product with an SD3 product the existing motor cable can be used. The motor cable will connect to the SD3 drive via terminal screws so in most cases it will not be necessary to purchase a replacement motor cable.

Please refer to the SD3 product catalogue for motor cable information in the event that your existing motor cable is damaged or needs to be replaced.

Motor cables						
Cables for 3-phase stepper motor	4 x 1.5 mm <sup>2</sup> , shielded; motor end with 6-pole circular connector; other cable end open	3	x	x	x	VW3S5101R30
		5	x	x	x	VW3S5101R50
		10	x	x	x	VW3S5101R100
		15	x	x	x	VW3S5101R150
		20	x	x	x	VW3S5101R200

**VW3S5101R30**

**VW3S5101R50**

**VW3S5101R100**

**VW3S5101R150**

**VW3S5101R200**

### 5.1 Recommended rotation monitoring cable selection

When replacing a WDP3-01x with encoder interface you will need an encoder feedback cable to connect from the motor to the SD328 drive.

To simplify the connection process select one of the cables from the list below based on your required cable length.

Encoder cable						
Encoder cable	Configured for stepper motor; shielded; motor side with 12-pin encoder plug; device side with 12-pin Molex plug	3.0 m	x	x	x	VW3S8101R30
		5.0 m	x	x	x	VW3S8101R50
		10.0 m	x	x	x	VW3S8101R100
		15.0 m	x	x	x	VW3S8101R150
		20.0 m	x	x	x	VW3S8101R200

**VW3S8101R30**

**VW3S8101R50**

**VW3S8101R100**

**VW3S8101R150**

**VW3S8101R200**

## 6 Interface Cables

### 6.1 RS485 Interface cables

Modbus cable, 1*connector RJ45, other end stripped, 3m	<b>VW3A8306D30</b>
Modbus cable, 1*connector RJ45, 1*connector SubD15 pole, for TSXSCA62, 3m	<b>VW3A8306</b>
Modbus cable, both ends RJ45 connector, 0.3m	<b>VW3A8306R03</b>
Modbus cable, both ends RJ45 connector, 1m	<b>VW3A8306R10</b>
Modbus cable, both ends RJ45 connector, 3m	<b>VW3A8306R30</b>

### 6.2 RS232 Interface cables

Not available for SD328 because of missing RS232 interface.

### 6.3 CAN cables

CAN junction box	<b>VW3CANTAP2</b>
CAN-cable, both ends RJ45 connector, 0.3m	<b>VW3CANCARR03</b>
CAN-cable, both ends RJ45 connector, 1m	<b>VW3CANCARR1</b>

### 6.4 ProfibusDP cables

We don't offer ProfibusDP cables for SD328!

### 6.5 Analogue cables

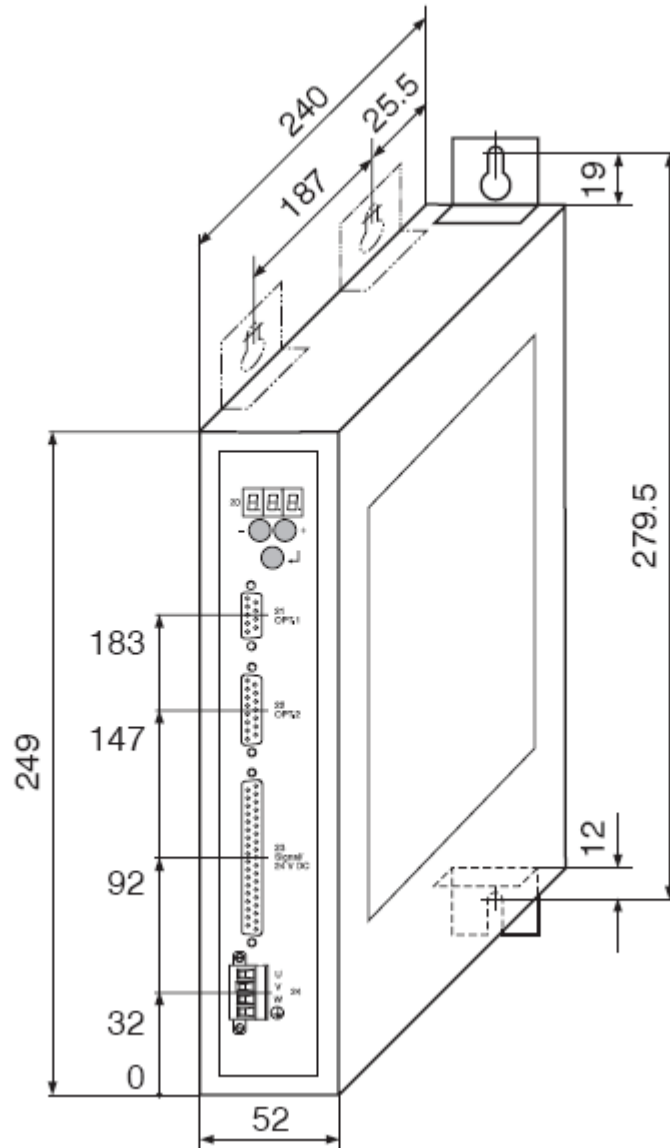
We don't offer Analogue cables for SD328!

## 6.6 RS422 cables

Cable pulse/direction, ESIM, A/B, device end 10 pole connector, other end open, 0.5m	<b>VW3M8201R05</b>
Cable pulse/direction, ESIM, A/B, device end 10 pole pole connector, other end open, 1.5m	<b>VW3M8201R15</b>
Cable pulse/direction, ESIM, A/B, device end 10 pole connector, other end open, 3m	<b>VW3M8201R30</b>
Cable pulse/direction, ESIM, A/B, device end 10 pole connector, other end open, 5m	<b>VW3M8201R50</b>
Cable pulse/direction, ESIM, AB to Premium CFY, 10 pole connector, + 15-pin SubD, 0.5m	<b>VW3M8204R05</b>
Cable pulse/direction, ESIM, AB to Premium CFY, 10 pole connector, + 15-pin SubD, 1.5m	<b>VW3M8204R15</b>
Cable pulse/direction, ESIM, AB to Premium CFY, 10 pole connector + 15-pin SubD, 3m	<b>VW3M8204R30</b>
Cable pulse/direction, ESIM, AB to Premium CFY, 10 pole connector + 15-pin SubD, 5m	<b>VW3M8204R50</b>
Cable pulse/direction, ESIM, AB to Siemens S5 IP247, 10 pole connector, 3m	<b>VW3M8205R30</b>
Cable pulse/direction, ESIM, AB to Siemens S5 IP267, 10 pole connector, 3m	<b>VW3M8206R30</b>
Cable pulse/direction, ESIM, AB to Siemens S7 300 FM353, 10 pole connector, 3m	<b>VW3M8207R30</b>
Cable pulse/direction, ESIM, AB on RVA, USIC or WP/WPM311, 0.5m	<b>VW3M8209R05</b>
Cable pulse/direction, ESIM, AB on RVA, USIC or WP/WPM311, 1.5m	<b>VW3M8209R15</b>
Cable pulse/direction, ESIM, AB on RVA, USIC or WP/WPM311, 3m	<b>VW3M8209R30</b>
Cable pulse/direction, ESIM, AB on RVA, USIC or WP/WPM311, 5m	<b>VW3M8209R50</b>
Cable pulse/direction, USIC, 15 pole SubD, other end open, 0.5m	<b>VW3M8210R05</b>
Cable pulse/direction, USIC, 15 pole SubD, other end open, 1.5m	<b>VW3M8210R15</b>
Cable pulse/direction, USIC, 15 pole SubD, other end open, 3m	<b>VW3M8210R30</b>
Cable pulse/direction, USIC, 15 pole SubD, other end open, 5m	<b>VW3M8210R50</b>

## 7 Product dimensions

### WDP3-01x dimensions



SD328 dimensions

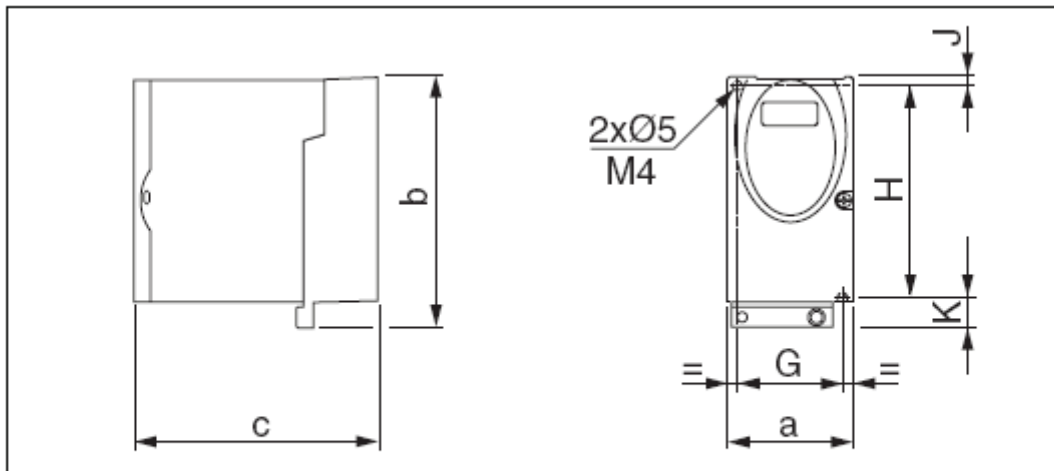


Figure 3.1 Dimensions

SD32••...		U25S2	U68S2
a	[mm]	72	72
b	[mm]	145	145
c	[mm]	140	140
G	[mm]	60	60
H	[mm]	121.5	121.5
J	[mm]	5	5
K	[mm]	18.5	18.5
Mass	[kg]	1.1	1.2
Type of cooling		Convection <sup>1)</sup>	Fan
DIN rail installation	[mm]	77.5 <sup>2)</sup>	77.5 <sup>2)</sup>

1) >1 m/s

2) Width of adapter plate