

Main

| | |
|---------------------------|---|
| Range of product | Magelis GTO |
| Product or component type | Advanced touchscreen panel |
| Display colour | 65536 colours |
| Display size | 12.1 inch |
| Supply | External source |
| Operating system | Magelis |
| Battery type | Lithium battery for internal RAM, autonomy: 100 days, charging time = 5 d, battery life = 10 yr |

Complementary

| | |
|---------------------------|--|
| Terminal type | Touchscreen display |
| Display type | Backlit colour TFT LCD |
| Display resolution | 800 x 600 pixels SVGA |
| Touch sensitive zone | 1024 x 1024 |
| Touch panel | Resistive film, 1000000 cycles |
| Backlight lifespan | 50000 hours (white) at 25 °C |
| Brightness | 16 levels - control by touch panel 16 levels - control by software |
| Character font | ASCII (European characters) Chinese (simplified Chinese) Japanese (ANK, Kanji) Korean Taiwanese (traditional Chinese) |
| [Us] rated supply voltage | 24 V DC |
| Supply voltage limits | 19.2...28.8 V |
| Inrush current | <= 30 A |
| Power consumption in W | <= 17 W <= 12 W (when power is not supplied to external devices) <= 7 W (when backlight is OFF) <= 8 W (when backlight is dimmed) |
| Local signalling | Status LED (orange) flashing software starting up |

| | |
|----------------------------|--|
| | Status LED (green) steady offline Status LED (green) steady operating Status LED (red) steady power supply (ON) Status LED (clear) faded power supply (OFF) COM2 LED (yellow) steady data is being transmitted COM2 LED (yellow) faded no data transmission SD card LED (green) steady card is inserted SD card LED (green) faded card is not inserted or is not being accessed |
| Software designation | Vijeo Designer configuration software >= V6.1 |
| Memory description | 96 MB flash (EPROM) |
| Data backed up | 512 kB internal RAM (SRAM) |
| Data storage equipment | SD card <= 32 GB SDHC card <= 32 GB |
| Downloadable protocols | Modbus Plus Schneider Electric Modicon FIPWAY Schneider Electric Modicon Modbus TCP Schneider Electric Modicon Modbus Schneider Electric Modicon Third party protocols Mitsubishi Melsec Third party protocols Omron Sysmac Third party protocols Rockwell Automation Allen-Bradley Third party protocols Siemens Simatic Uni-TE Schneider Electric Modicon |
| Integrated connection type | COM1 serial link SUB-D 9, interface: RS232C, transmission rate: 2400...115200 bps COM2 serial link RJ45, interface: RS485, transmission rate: 2400...115200 bps COM2 serial link RJ45, interface: RS485, transmission rate: 187.5 kbps compatible with Siemens MPI Ethernet RJ45, interface: 10BASE-T/100BASE-TX Ethernet RJ45, interface: IEEE 802.3 USB 2.0 type A USB 2.0 type mini B |
| Product mounting | Flush mounting |
| Fixing mode | By 4 screw clamps |
| Front material | PPT |
| Enclosure material | PPT |
| Type of cooling | Natural convection |
| Width | 315 mm |
| Height | 241 mm |
| Depth | 56 mm |
| Product weight | 2.5 kg |

Environment

| | |
|---------------------------------------|--|
| Standards | EN 61131-2 IEC 61000-6-2 UL 508 |
| Product certifications | CE C-Tick cULus KCC |
| Ambient air temperature for operation | 0...55 °C |
| Ambient air temperature for storage | -20...60 °C |
| Relative humidity | 10...90 % without condensation |
| Operating altitude | < 2000 m |
| IP degree of protection | IP20 rear panel conforming to IEC 60529 IP65 front panel conforming to IEC 60529 |
| NEMA degree of protection | NEMA 4X front panel (indoor use) |
| Shock resistance | 147 m/s ² 3 chocks in each direction X, Y and Z conforming to EN/IEC 61131-2 |
| Vibration resistance | 3.5 mm (f = 5...9 Hz) conforming to EN/IEC 61131-2 X, Y, Z directions for 10 cycles (approx. 100 min) 1 gn (f = 9...150 Hz) conforming to EN/IEC 61131-2 X, Y, Z directions for 10 cycles (approx. 100 min) |
| Resistance to electrostatic discharge | 6 kV contact discharge conforming to IEC 61000-4-2 level 3 |

Offer Sustainability

| | |
|----------------------------------|---|
| Sustainable offer status | Green Premium product |
| RoHS (date code: YYWW) | Compliant - since 1348 - Schneider Electric declaration of conformity Schneider Electric declaration of conformity |
| REACH | Reference contains SVHC above the threshold - Go to CaP for more details Go to CaP for more details |
| Product environmental profile | Available Product Environmental Profile |
| Product end of life instructions | Available End of Life Information |

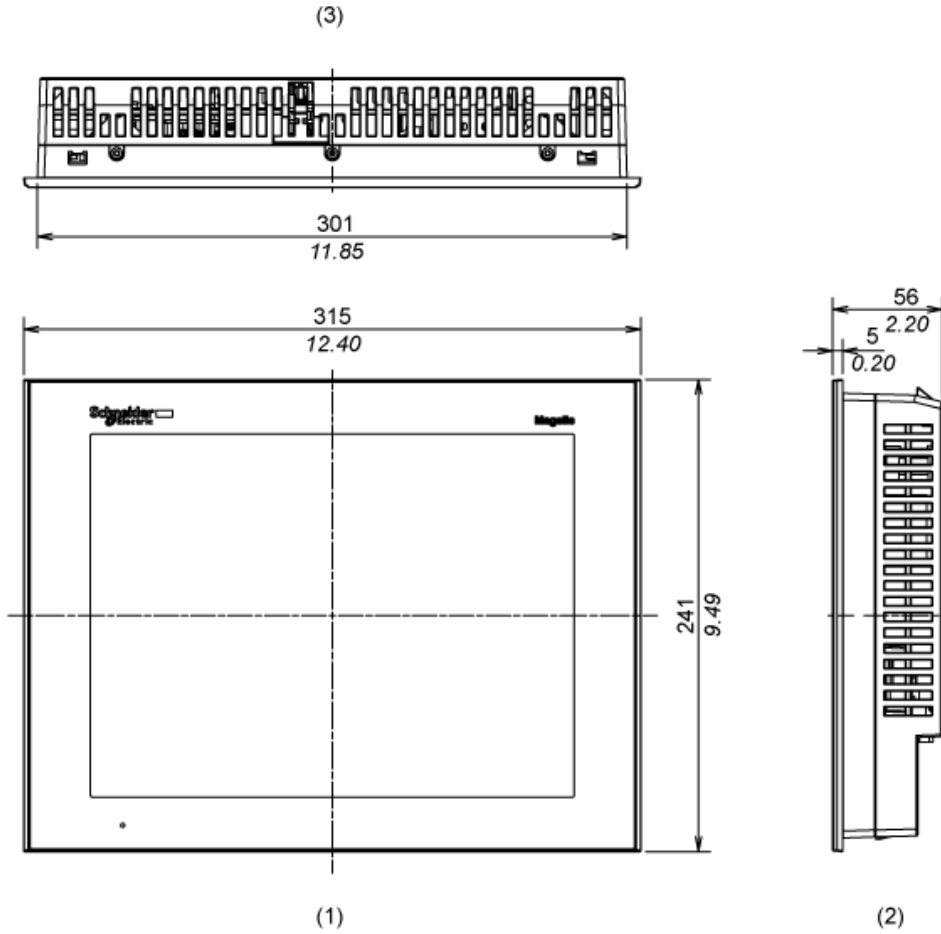
Contractual warranty

| | |
|-----------------|-----------|
| Warranty period | 18 months |
|-----------------|-----------|

Dimensions

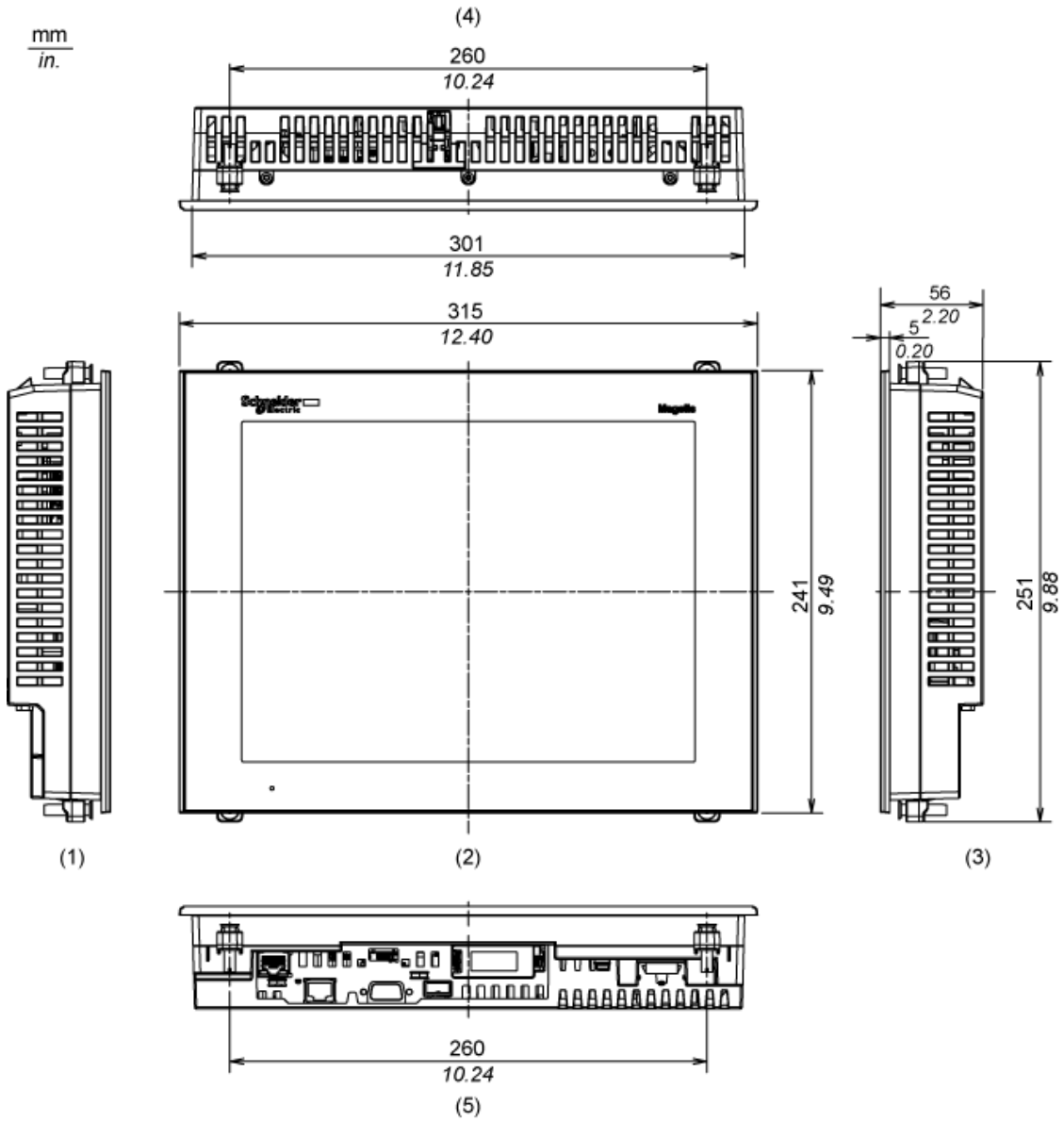
External Dimensions

$\frac{\text{mm}}{\text{in.}}$



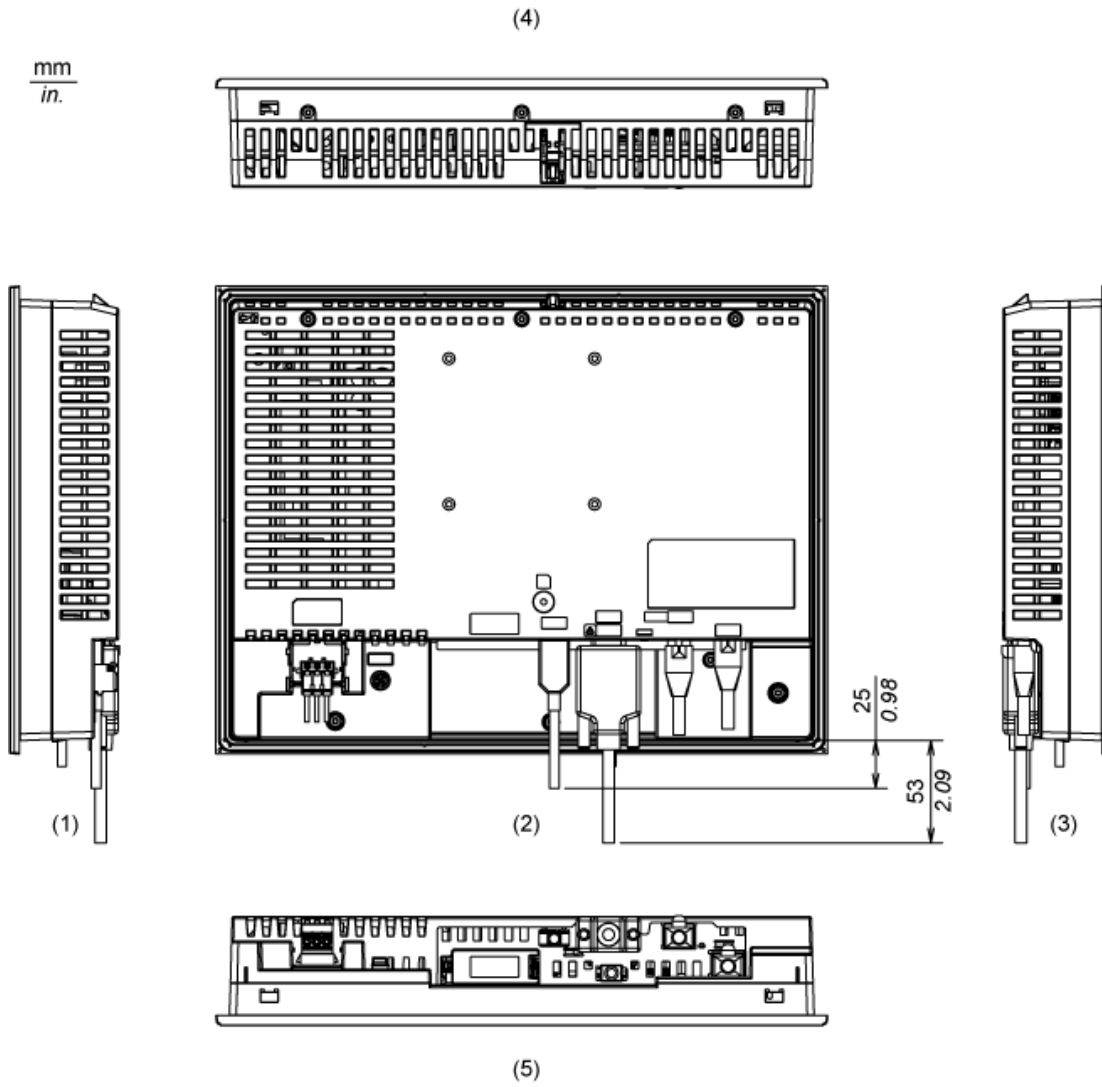
- 1 Front
- 2 Right Side
- 3 Top

Installation with Installation Fasteners



- 1 Left Side
- 2 Front
- 3 Right Side
- 4 Top
- 5 Bottom

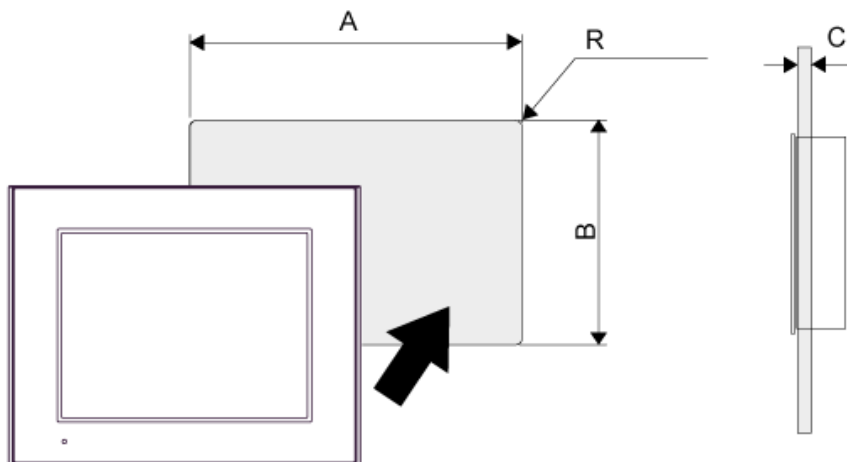
Dimensions with Cables



- 1 Left Side
- 2 Rear
- 3 Right Side
- 4 Top
- 5 Bottom

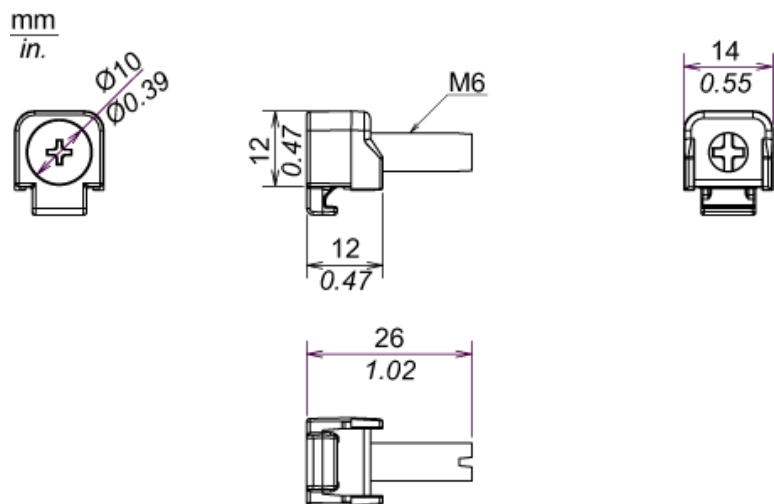
Mounting

Panel Cut Dimensions



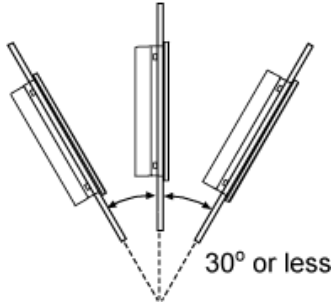
| A | | B | | C | | R | |
|----------------|-------------------|----------------|------------------|---------|------------|--------|-----------|
| mm | in. | mm | in. | mm | in. | mm | in. |
| 301.5 (+1, -0) | 11.87 (+0.04, -0) | 227.5 (+1, -0) | 8.96 (+0.04, -0) | 1.6...5 | 0.06...0.2 | 3 max. | 0.12 max. |

Installation Fastener Dimensions



Installation Requirements

Mounting Angle



When installing the panel in a slanted position with an incline more than 30°, the ambient temperature must not exceed 40 °C (104 °F). You may need to use forced air cooling (fan,A/C) to ensure the ambient operating temperature is 40°C or less (104 °F or less).

Clearance

