

1.5 Cable Options

The Velomitor® Sensor requires a two-conductor cable. We recommend using shielded cable to minimize noise interference. Table 1-2 describes the Bently Nevada cables used with the 330500 Velomitor® Sensor, Table 1-3 describes the cables used with the 330525 Velomitor® Sensor, and Table 1-4 describes the cables used with the 330530 Radiation Resistant Velomitor® Sensor. Figures 1-5 through 1-9 show the configuration of the cable and connector for each of the sensors.

Table 1-2. 330500 Velomitor® Sensor Interconnect Cable and Accessories

Standard Temperature Unarmored Cable	9571-AA	Shielded 22 AWG cable with moisture-resistant female socket connector at transducer end, ring lugs at monitor end.
Standard Temperature Armored Cable	84661-AA	Same as 9571-AA but with flexible stainless steel armored cable.
Cable for use with weather-proof housing	89477-AA	Two-conductor shielded cable with a connector adapted for use with the 21128 Velocity Transducer Housing Assembly.
Bulk Cable	02173006	Two-conductor shielded 18 AWG bulk cable. Specify number of feet.
Spare Connector	00531061	Velomitor® Sensor Cable Connector
Spare Connector Clamp	00530574	Connector Clamp

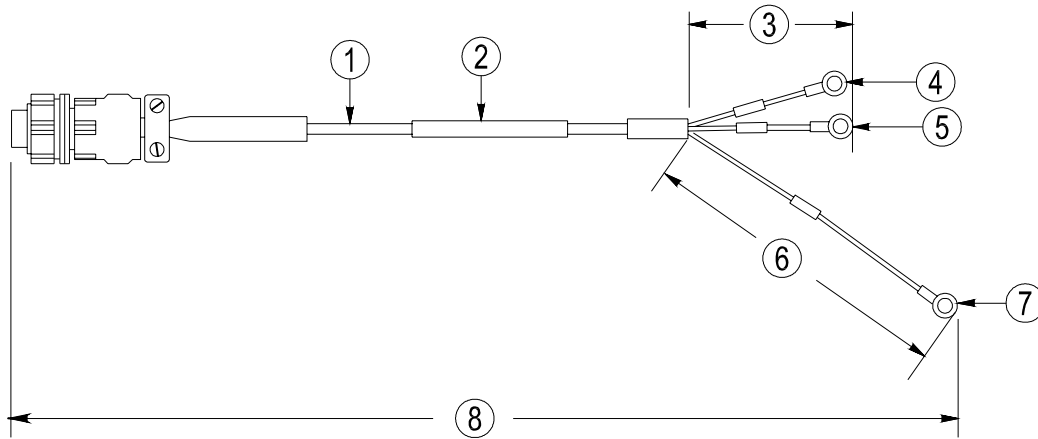
Table 1-3. 330525 Velomitor® Sensor Interconnect Cable and Accessories

Standard Temperature Armored Cable	106765-AA	Flexible Stainless Steel Armored Cable
Bulk Cable	02173007	Two-conductor shielded 22 AWG bulk cable. Specify number of feet.
Spare Boot	03839144	Fluorosilicone Elastomer Boot
Spare Boot Clamps	03839142	Bottom Clamp
	03839143	Top Clamp

Table 1-4. 330530 Velomitor® Sensor Interconnect Cable and Accessories

Standard Temperature Unarmored Cable	330533-AA	Shielded 18 AWG cable with moisture-resistant female socket connector at transducer end, ring lugs at monitor end.
Bulk Cable	175873	Two-conductor shielded 18 AWG bulk cable. Specify number of feet.
Spare Connector	00531061	Velomitor® Sensor Cable Connector

PART NUMBER 9571 - AXX (SEE NOTE)



NOTE

ORDER IN INCREMENTS OF 1.0 FOOT (0.30 m)

EXAMPLE:

0 2 2 FEET (0.61 m)

2 5 25 FEET (7.6 m)

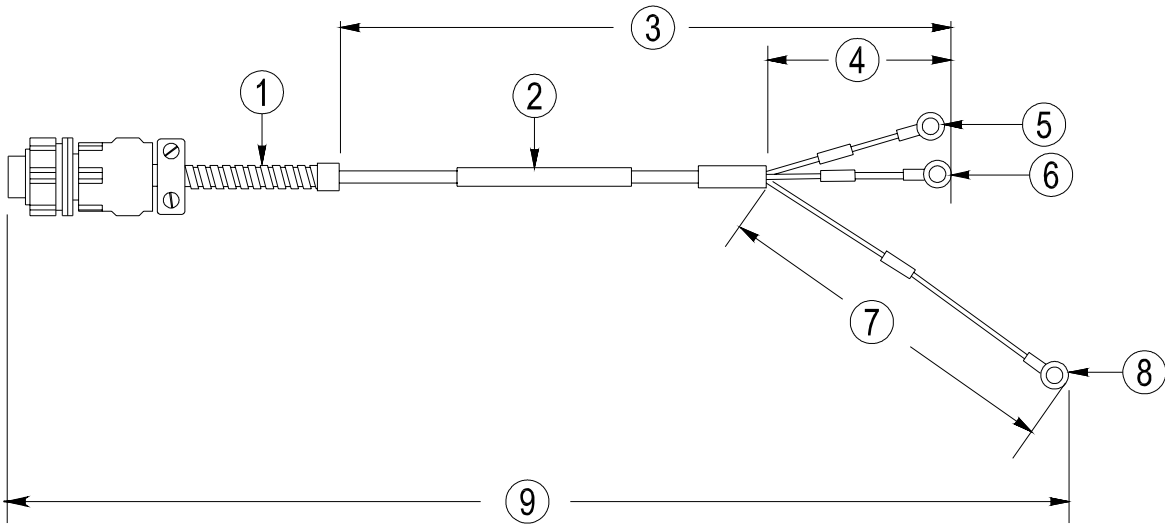
MINIMUM LENGTH = 2 FEET (0.61 m)

MAXIMUM LENGTH = 99 FEET (30 m)

- (1) Cable 2-22 AWG conductor shielded, Teflon insulated
- (2) Clear shrink tubing, 63.5 mm (2.5 in)
- (3) 51 mm ± 13 mm (2.00 in ± 0.5 in)
- (4) "A", white
- (5) "B", black
- (6) 126 mm ± 13 mm (5.00 in ± 0.5 in)
- (7) SHLD, green
- (8) Overall length ± 150 mm (± 6.0 in)

Figure 1-5. 9571 Cable for use with 330500 Velomitor® Sensor

PART NUMBER 84661 - AXX (SEE NOTE)



NOTE

ORDER IN INCREMENTS OF 1.0 FOOT (0.30 m)

EXAMPLE:

03 3 FEET (0.91 m)

25 25 FEET (7.6 m)

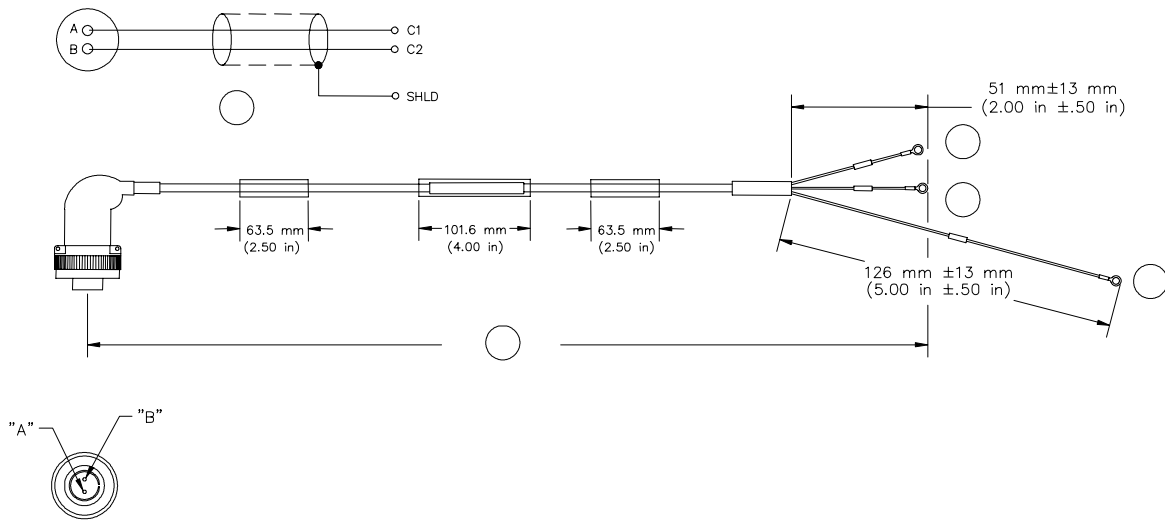
MINIMUM LENGTH = 3 FEET (0.91 m)

MAXIMUM LENGTH = 96 FEET (29 m)

- (1) Stainless steel armor over cable
- (2) Clear shrink tubing, 63.5 mm (2.5 in) typical
- (3) 635 mm ± 76 mm (25.0 in ± 3.00 in)
- (4) 51 mm ± 13 mm (2.00 in ± 0.5 in)
- (5) "A", white
- (6) "B", black
- (7) 126 mm ± 13 mm (5.00 in ± 0.5 in)
- (8) SHLD, green
- (9) Overall length ± 150 mm (± 6.0 in)

Figure 1-6. 84661 Cable for use with 330500 Velomitor® Sensor

PART NUMBER 89477 - AXX (SEE NOTE)



NOTE

ORDER IN INCREMENTS OF 1.0 FOOT (0.30 m)

EXAMPLE:

1 2 12 FEET (3.7 m)

2 5 25 FEET (7.6 m)

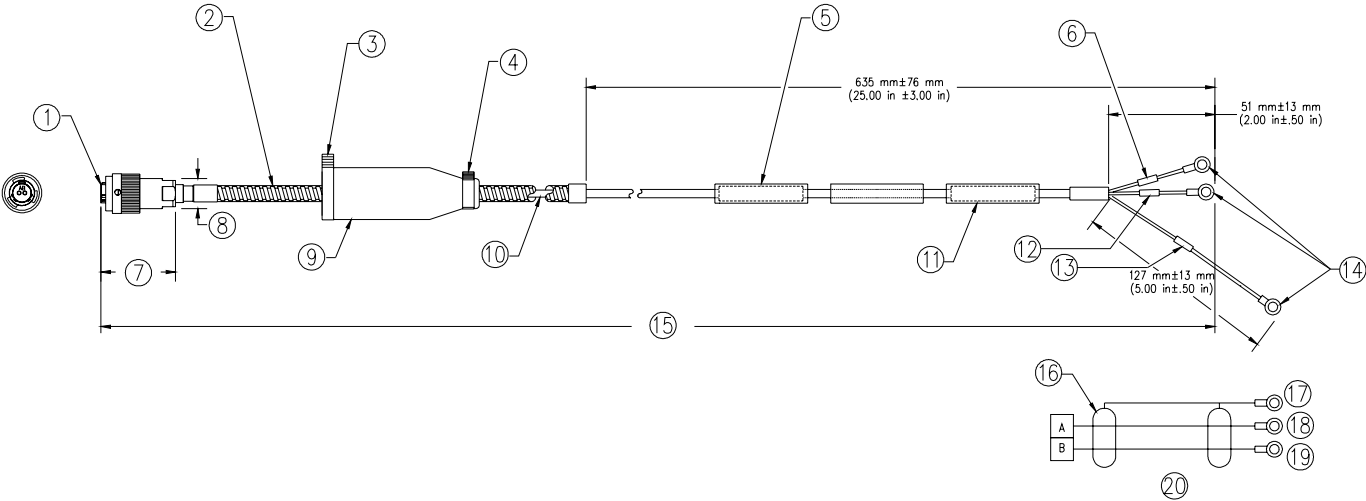
MINIMUM LENGTH = 2 FEET (0.61 m)

MAXIMUM LENGTH = 99 FEET (30 m)

- (1) Schematic
- (2) "A", white
- (3) "B", black
- (4) SHLD, green
- (5) Overall length ± 150 mm (± 6.0 in)

Figure 1-7. 89477 Cable for use with 330500 Velomitor® Sensor

PART NUMBER 106765 - AXX (SEE NOTE)



1. 2-pin connector	8. 14.5 mm (0.57 in) maximum	15. Overall length ± 150 mm (± 6 in)
2. Stainless steel armor, FEP coated	9. Fluorosilicone elastomer oil-resistant boot	16. Shield
3. 7/8" single snap-grip hose clamp	10. 2-conductor shielded and jacketed cable	17. Green
4. 15/32" single snap-grip hose clamp	11. Approvals label	18. White
5. BN part number and serial number label	12. "B", black	19. Black
6. "A", white	13. "SHLD", green	20. Figure B, Wiring Diagram
7. 38.1 mm (1.50 in) maximum	14. Nickel-plated copper Teflon insulated ring terminal (size #6 stud) typical, 3 places	

Figure 1-8. 106765 Cable for use with 330525 Velomitor® Sensor